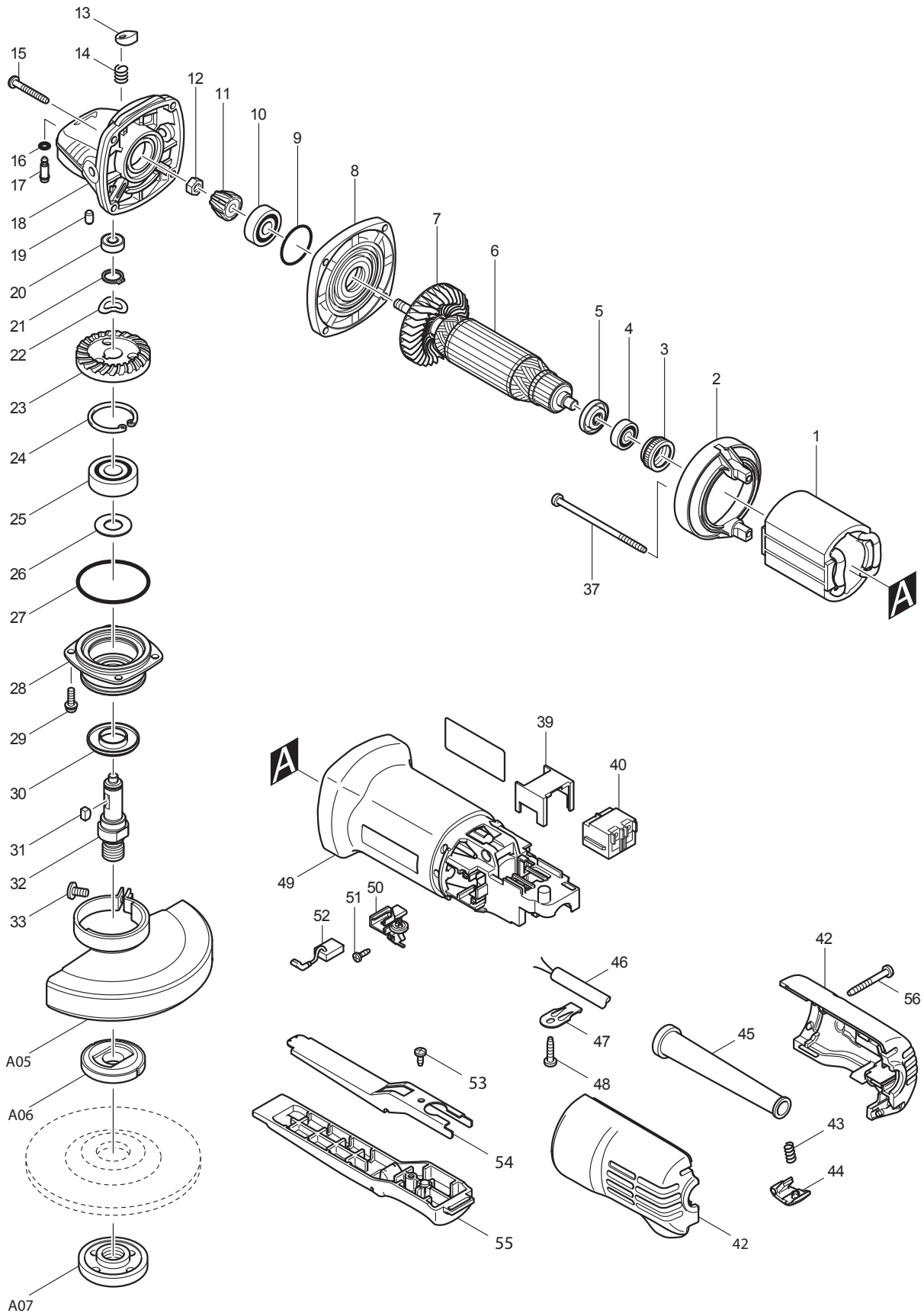




02 - 2010
9557PB
9557PBK
4-1/2" DISC GRINDER



Item No	Type	Ref	Part No	Description	Qty	Unit
1			621706-3	FIELD 115V	1	PC.
2			418770-1	BAFFLE PLATE	1	PC.
3			421868-5	LABYRINTH RUBBER RING 19	1	PC.
4			210034-7	BALL BEARING 607LLB	1	PC.
5			681636-0	INSULATION WASHER	1	PC.
6			515611-3	ARMATURE ASS'Y 115V	1	PC.
		INC.		Item No. 4,5,7		
7			240076-7	FAN 56	1	PC.
8			317821-6	GEAR HOUSING COVER	1	PC.
9			213445-5	O-RING 26	1	PC.
10			210042-8	BALL BEARING 629LLB	1	PC.
11			227464-5	SPIRAL BEVEL GEAR 10 (SINTERING)	1	PC.
	Opt.		227541-3	SPIRAL BEVEL GEAR 10 (MACHINED) - Optional, Use with 227542-1	1	PC.
12			252186-8	HEX. NUT M6	1	PC.
13			417771-6	PIN CAP	1	PC.
14			233376-2	COMPRESSION SPRING 8	1	PC.
15			266361-0	TAPPING SCREW 4X30	4	PC.
16			213960-9	O RING 5	1	PC.
17			256486-8	SHOULDER PIN 4	1	PC.
18			317814-3	GEAR HOUSING	1	PC.
19			263002-9	RUBBER PIN 4	1	PC.
20			210033-9	BALL BEARING 696ZZ	1	PC.
21			961052-5	RETAINING RING S-12	1	PC.
22			267794-2	WAVE WASHER 12	1	PC.
23			227505-7	SPIRAL BEVEL GEAR 37 (SINTERING)	1	PC.
	Opt.		227542-1	SPIRAL BEVEL GEAR 37 (MACHINED) - Optional, Use with 227541-3	1	PC.
24			962151-6	RETAINING RING R-32	1	PC.
25			211129-9	BALL BEARING 6201DDW	1	PC.
26			267238-2	FLAT WASHER 12	1	PC.
27			213622-9	O RING 45	1	PC.
28			317819-3	BEARING BOX	1	PC.
29			265099-4	PAN HEAD SCREW M4X14	4	PC.
30			345464-4	LABYRINTH RING	1	PC.
31			254011-9	WOODRUFF KEY 4	1	PC.
32			324474-4	SPINDLE	1	PC.
33			265103-9	PAN HEAD SCREW M5X14	1	PC.
37			266345-8	TAPPING SCREW 4X80	2	PC.
39			418729-8	SPACER	1	PC.
40	1		650561-6	SWITCH APB-2114, BLACK	1	PC.
	2		650579-7	SWITCH 1246.3223, SINGLE, BROWN	1	PC.
42			183943-2	REAR COVER SET	1	SET
43			231252-4	COMPRESSION SPRING 6	1	PC.
44			418842-2	LOCK ON BUTTON	1	PC.
45			682559-5	CORD GUARD 8	1	PC.
46			664891-9	CORD W/PLUG 2P-18-2.5M, SJ	1	PC.
47			687169-3	STRAIN RELIEF	1	PC.
48			266326-2	TAPPING SCREW 4X18	1	PC.
49			418838-3	MOTOR HOUSING	1	PC.
50			643760-7	BRUSH HOLDER	2	PC.
51			266007-8	TAPPING SCREW BIND PT 3X10	4	PC.

Item No	Type	Ref	Part No	Description	Qty	Unit
52	1		194074-2	CARBON BRUSH CB-325 2PC/SET (W/O ORIGIN)	1	SET
	2		195001-2	CARBON BRUSH CB-325 2PC/SET (W/ ORIGIN)	1	SET
53	1		265954-0	TAPPING SCREW BIND PT3X8	1	PC.
	2		266492-5	TAPPING SCREW 3X8	1	PC.
54			345504-8	PLATE	1	PC.
55			154583-3	SWITCH LEVER A COMPLETE	1	PC.
56			266351-3	TAPPING SCREW 4X35	2	PC.
100			652044-2	(+) BIND SCREW M3.5X5.0 (FOR SWITCH)	2	PC.
101			654573-1	SPLICE (FOR CORD/SWITCH)	2	PC.
ACCESSORIES				- See Catalogue or visit www.makita.ca for morel accessories information -		
A01			153489-2	GRIP 36 COMPLETE	1	PC.
A02			782424-9	LOCK NUT WRENCH 28 (OLD# 782422-3)	1	PC.
A03			824736-5	PLASTIC CARRYING CASE (9557PBK)	1	PC.
		INC.	182935-8	SLIDE LATCH (R.L) SET	1	SET
A03			182875-0	STEEL CARRYING CASE	1	PC.
A04	1		741423-B	4-1/2" DEPRESSED CENTER WHEEL A24P	1	PC.
	2		D-20781	4-1/2" DEPRESSED CENTER WHEEL A24R	1	PC.
A05			125267-0	WHEEL COVER ASS'Y (4-1/2" D.C.W)	1	PC.
		INC.		Item No. 33		
	Opt.		122642-1	WHEEL COVER ASS'Y (4-1/2" C.O.W)	1	PC.
A06			224399-1	INNER FLANGE 45	1	PC.
A07			224568-4	LOCK NUT 5/8-45	1	PC.
A08			743036-3	RUBBER PAD F/4-1/2"	1	PC.
A09			193048-0	SANDING LOCK NUT 5/8 - 48	1	PC.